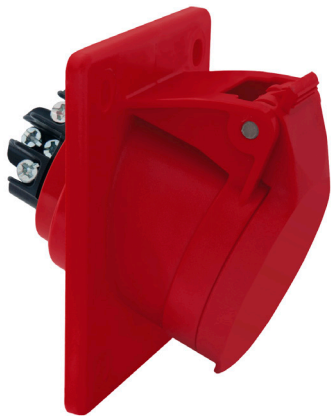
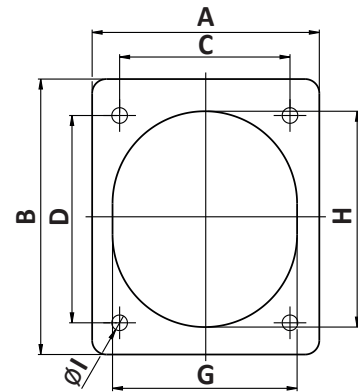
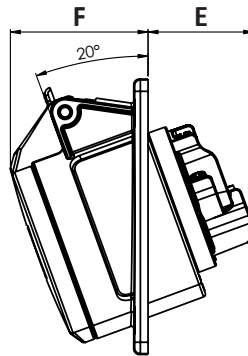


POWtec CEE Panel Mounted Socket Outlets IP54



- Angled 20°
- Splash-proof, IP54
- Screw terminals
- Brass contacts



Maximum Conductor Cross-section		
Current Rating	Flexible	Solid
16A	4mm ²	6mm ²
32A	6mm ²	10mm ²

Dimensions (mm)						
Poles	3	4	5	3	4	5
Current	16A			32A		
Flange A	70	70	80	80	80	80
Flange B	85	85	97	97	97	97
Hole Spacing C	50	50	60	60	60	60
Hole Spacing D	65	65	73	73	73	73
E	38	38	38	48	48	48
F	47	47	49	54	54	55
G	51	56	65	65	65	70
H	61	67	76	75	75	80
I	5.5	5.5	5.5	5.5	5.5	5.5
Weight (g)	111	127	154	166	182	214

Voltage		110 V~	230 V~	400 V~
Frequency		50/60 Hz	50/60 Hz	50/60 Hz
Designation		4h	3p = 6h 4p/5p = 9h	3p = 9h 4p/5p = 6h
Current	Poles	Part No.	Part No.	Part No.
16A	3	POWtecS-316Y-P2054	POWtecS-316B-P2054	-
16A*	4	POWtecS-416Y-P2044	POWtecS-416B-P2044	POWtecS-416R-P2044
16A	5	-	POWtecS-516B-P2054	POWtecS-516R-P2054
32A*	3	POWtecS-332Y-P2044	POWtecS-332B-P2044	-
32A*	4	POWtecS-432Y-P2044	POWtecS-432B-P2044	POWtecS-432R-P2044
32A	5	-	POWtecS-532B-P2054	POWtecS-532R-P2054

* Splash-proof, IP44